

MAKEN

Heavy Duty Small Cash Drawer

Make It Happen

INNOVATION QUALITY SERVICE



MK-350

All metal construction, suitable for heavy duty use and prolonged operational life, the ideal choice for reliability and perfect platform any compact EPOS terminal. Adjustable and removable 4 bills and 8 coins cash tray with metal wire grippers, making it world wide compatible

Durable Metal Wire Gripper
Tested over one million operations

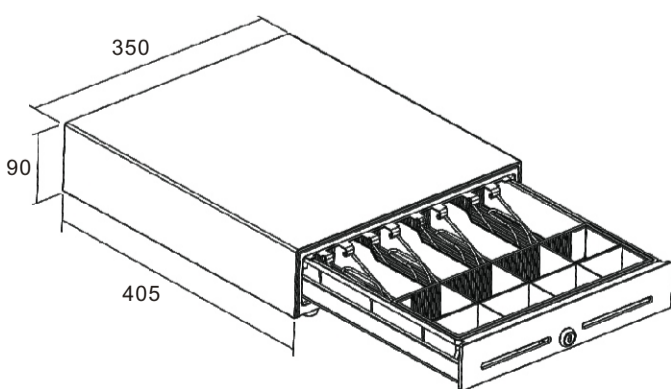
Easy and comfortable operation. Human Engineering Design

Removable and adjustable cash tray

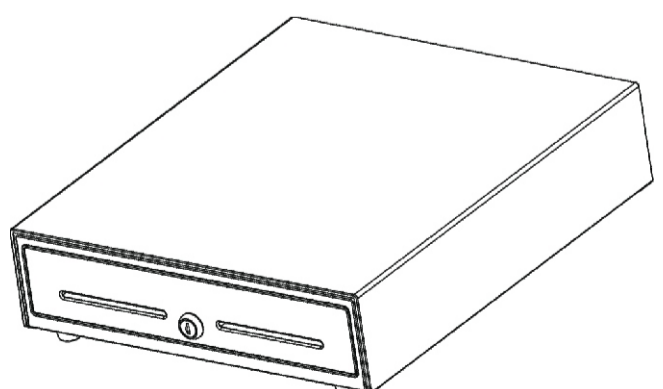
MK-350 Specifications

| | | |
|--|--|--------------------------|
| MODEL NUMBER | MK-350 | |
| PHYSICAL | | |
| Dimension | 350 (W)x405 (D)x90 (H)mm | |
| Construction | All metal construction | |
| Finish | Textured hybrid powder coat | |
| Color | Black, Beige and Custom type | |
| Roller | Polyurethane for smooth operation | |
| CASH TRAY (INSERT) | | |
| Construction | Shatter-resistant plastic | |
| Currency Layout | 4,5-Bill with Metal Metal wire grippers, 8 Adjustable Coin Slots | |
| Media Slots | 2 | |
| OPERATION | | |
| Lock | 3-Position lock / 4-Functions: locked open/ closed, manual open, electronically driven | |
| Interface | RJ11, RJ12, USB, RS232, DC Φ 2.5 / 3.5 Jack, custom type | |
| Lifecycle | MTBF 1,000,000 times + | |
| Micro Switch | Cash Drawer Status Micro Switch | |
| OPTION | | ACCESSORIES |
| Stainless Steel Front | Part Number | Description |
| Cash tray with different currency layout | Tray-3548, Tray-3558 | Cash Tray |
| Different color | DT-100U | USB Trigger |
| Different interfaces | DT-100RS | Serial Interface Trigger |

| | | | |
|------------------------|----------------|------------------|--------------------|
| Packing Details | | | |
| Models | Net Weight(kg) | Gross Weight(kg) | Carton Size(cm) |
| MK-350 | 5.4 | 6.1 | 45.3 x 40.2 x 13.5 |



MK-350



Specifications are subjected to change without notice.

Xiamen Maken Tech Co., Ltd.

2Floor, A Building, No.68, North Road,
High-tech Zone, Huli District, Xiamen 361006,
Fujian, China

Tel: +86-592-5768733
Fax: +86-592-5768735
www.maken.com.cn
E-mail: export@maken.com.cn

